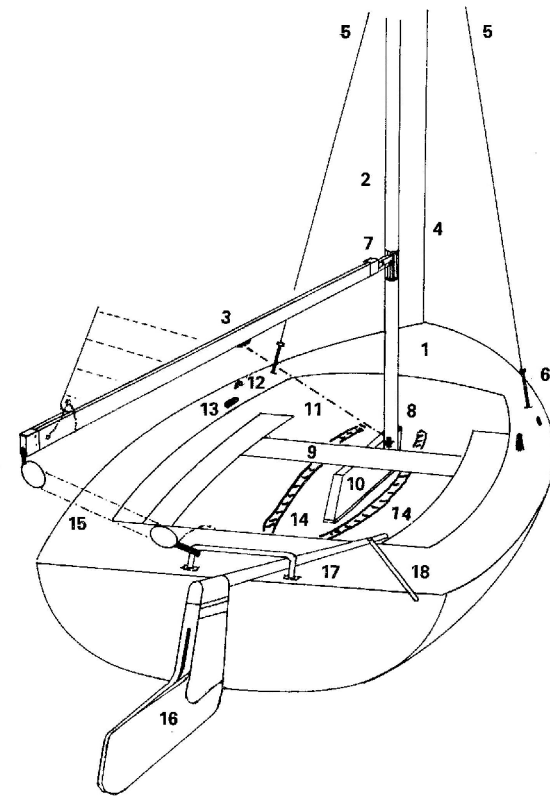
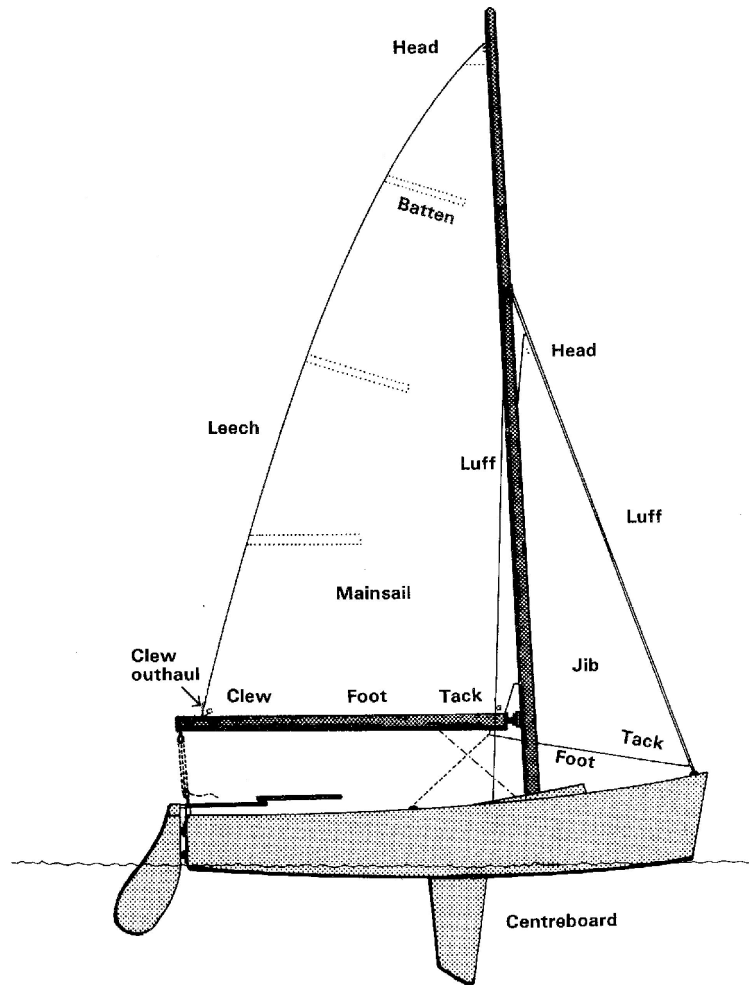




Lilongwe Sailing Club

Parts of a dingy



- | | | |
|----------------|---------------------|---------------------|
| 1 Hull | 7 Gooseneck | 13 Cleat |
| 2 Mast | 8 Mast Step | 14 Toestraps |
| 3 Boom | 9 Thwart | 15 Mainsheet |
| 4 Forestay | 10 Centreboard Case | 16 Rudder |
| 5 Shrouds | 11 Kicking Strap | 17 Tiller |
| 6 Bottlescrews | 12 Fairlead | 18 Tiller Extension |